

### Panhard Rod Bush

Range Rover to 86	BSC 203P
Range Rover 86 to 94	BSC 103P
Discovery	BSC 103P
90/110	BSC 103P
Def 98 on	1803

#### Fitting

Remove Panhard rod from vehicle.

Push out old bush.

Re-fit new bush with tube removed (use grease supplied to aid fitting).

Push tube into place and re-fit to vehicle.

**Tighten bolts when vehicle has settled.**

### Radius Arm Front Bush

Range Rover to 85	BSC 202P
Range Rover 86 to 94	BSC 206P
Discovery	BSC 206P
90/110	

#### Fitting

Remove radius arm from vehicle and remove bushes.

Re-fit new bushes with tube removed (use grease supplied to aid fitting).

If replacing rear radius arm bushes, see the next step.

If not, re fit to vehicle and **Tighten bolts when vehicle has settled.**

### Rear Radius Arm Bush

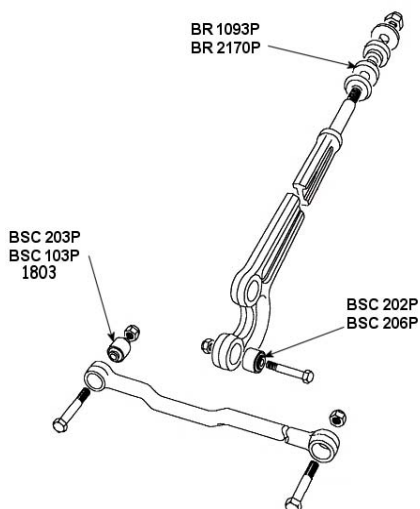
Range Rover to 85	BR 1093P
Range Rover 86 to 94	BR 2170P
Discovery	BR 2170P
90/110	BR 2170P

#### Fitting

Remove radius arm from vehicle and remove bushes.

Refit new bushes using original washers.

**Tighten bolts when vehicle settled.**

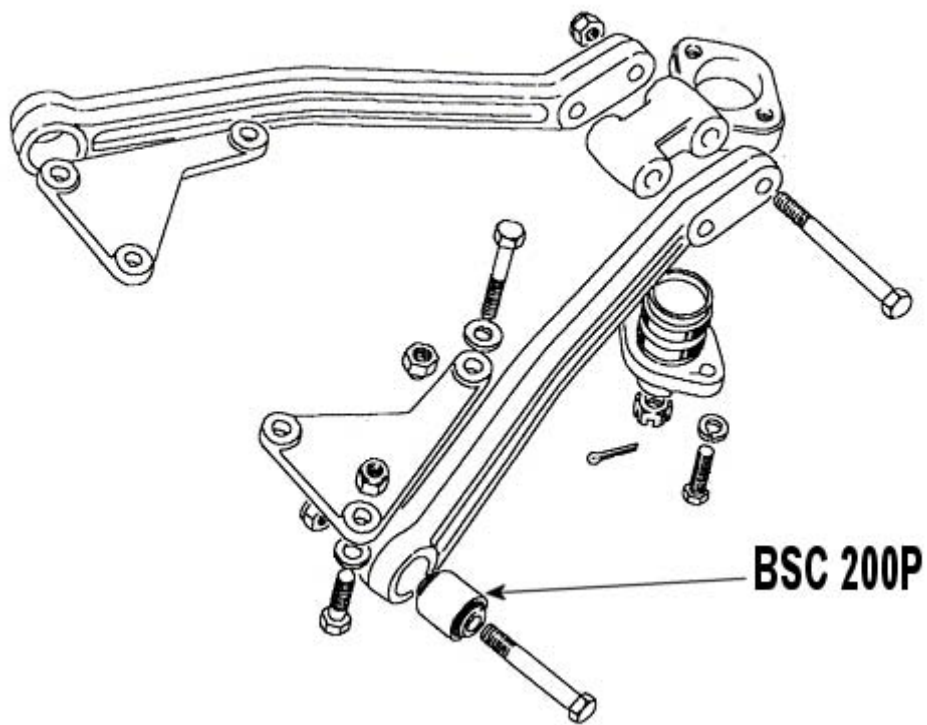


## Top Link Bush BSC 200

Range Rover up to 94  
Discovery  
90/110

### Fitting

Remove top link arms from vehicle, press out old bushes.  
Press new bushes into place with tube removed.(use grease supplied to aid fitting).  
Push tubes into place.  
Re fit arms to vehicle  
**Tighten bolts when vehicle has settled.**



## Rear Link

Rear lower link bush BSC 205P

Range Rover up to 94

Discovery

90/110

### Fitting

Remove link arm from vehicle and push out old bushes.

Press in new bushes with tube removed (use grease supplied to aid fitting).

Push tube into place. **Tighten bolts when vehicle has settled.**

## Front Link Bush

Range Rover up to 85 BSC 361P

Range Rover 84 to 94 BSC 491P

Discovery BSC 491P

90/110 BSC 491P

### Fitting

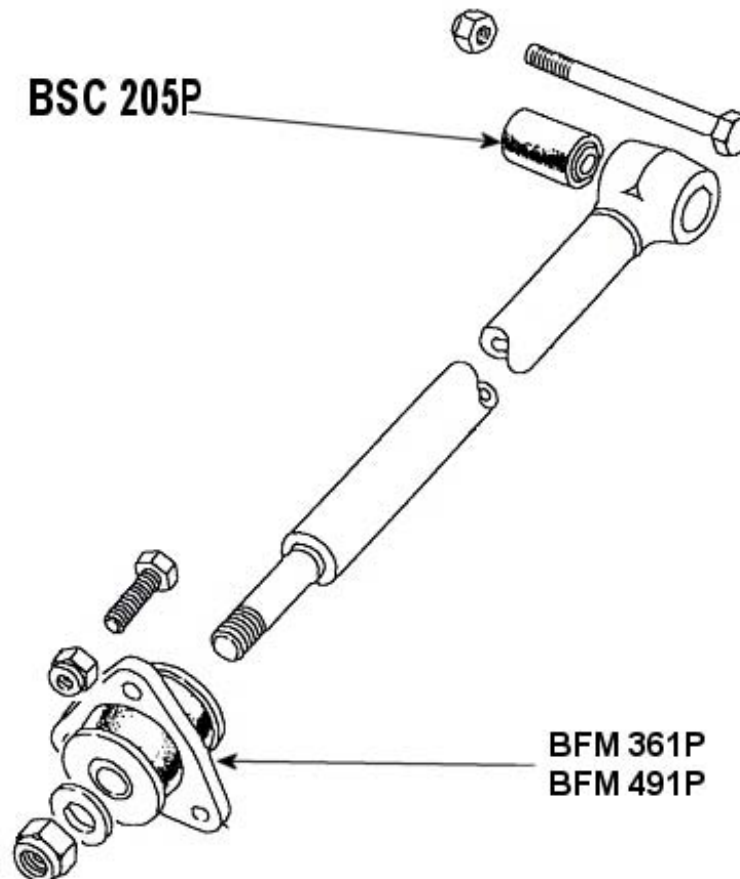
Remove from chassis after removing lower link.

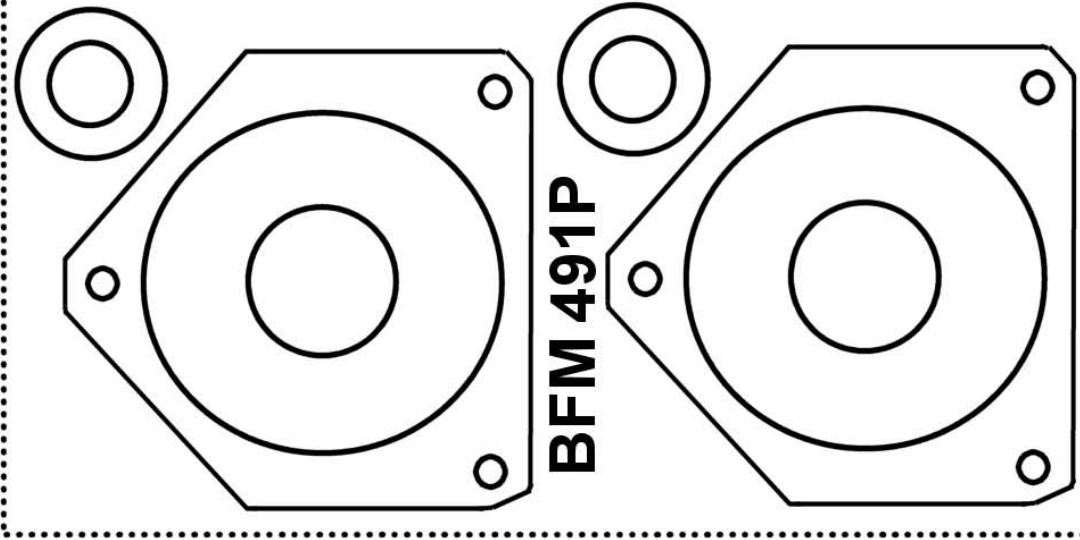
Re fit new bush ensuring mating surfaces are clean.

Push tube into place before fitting.

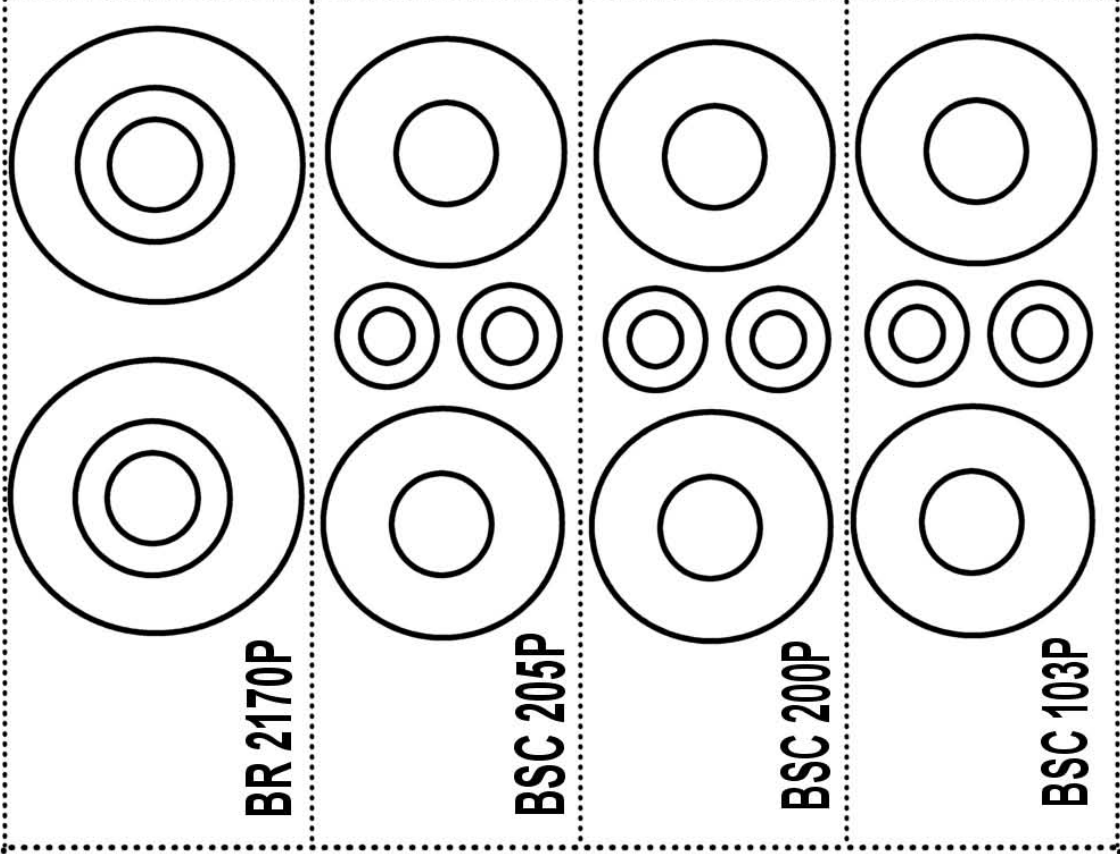
Fit lower link back through bush, ensuring new washers are fitted either side of bush.

**Tighten bolts when vehicle has settled.**





**BFM 491P**

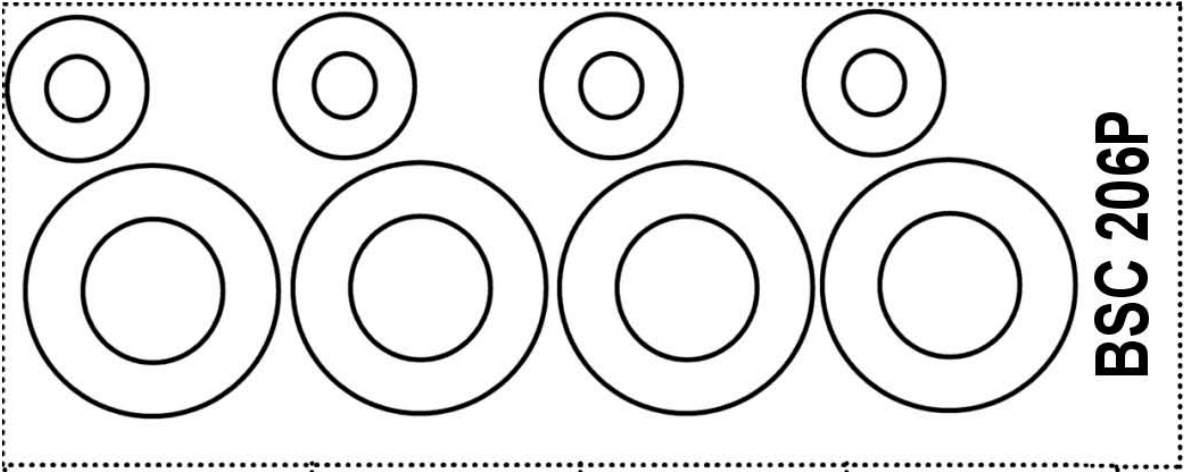


**BR 2170P**

**BSC 205P**

**BSC 200P**

**BSC 103P**



**BSC 206P**

**BA 2072 L/R 90 & 110 (up to 95).**